



# TORNADO

Hand Crafted Plaster Lighting - Made in England

# Linear Wall Lights

Our range of Linear Plaster wall lights were conceived to suit clean linear interiors. The majority of interior spaces are made up of a series of rectangular and square areas. This lead to a design brief for luminaires suitable for use in these spaces.

Tornado designed a series of rectangular and square luminaires which have complimentary aspect ratios to these wall spaces. This allows the use of horizontal rectangular wall lights on long linear walls and tall vertical rectangular wall lights on high rectangular walls. This system compliments the space visually by using shapes with the similar aspect ratios to the wall shape where the light fittings are being placed.

By keeping the range free of superfluous design detail we have produced a range of lighting that sits quietly in the background without drawing attention to the luminaire itself.

This leads to a wholly integrated look and a coherent final design. The aim is to allow the overall architecture of the space to act as a unified space.

## Light Source Options



**Tungsten Halogen**, a traditional light source, typically of a warmer colour temperature. This source can be dimmed using standard domestic dimmers.



**Compact Fluorescent**, a well proven low energy light source, available in various colour temperatures. This source can be dimmed using dali, digital or 0-10v analogue dimmers (please specify dimming type when ordering).



**LED**, currently the best combination of colour temperature and energy efficiency. This source can be dimmed using trailing edge dimmers.



**Integral Emergency Conversions**, can be added to the majority of our products to comply with current regulations.

# Midi-2

Variable beam angle luminaire



## Model

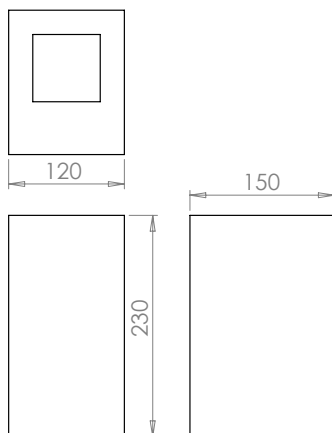
Midi-2/LED

## Source

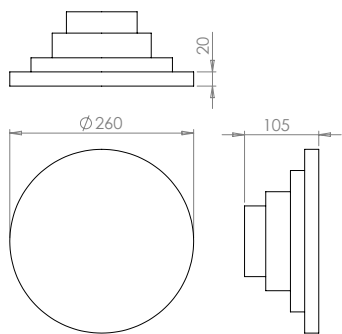
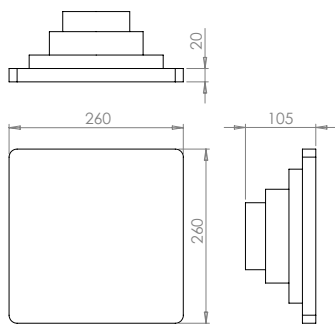
2x3w LED 600lm

Variable beam width using a barn door system to adjust the top and bottom apertures independently .

White plaster / gypsum & aluminium  
IP54 indoor / outdoor covered areas  
Class 1 earthed.  
Dimensions: H230 W120 D150  
Paint finish compatible.  
Lamp 2 x 3w LED 600Lm



## Burst-Round



## Burst-Square



Model	Source
Burst-Round/LED	High Output LED 360lm

Feature fitting . Statement fitting. Dramatic lighting effect. Use indoor or outdoor in covered areas.

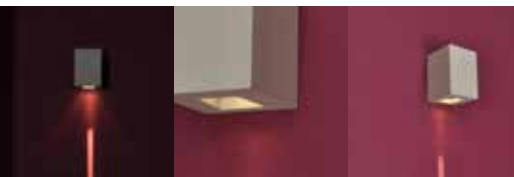
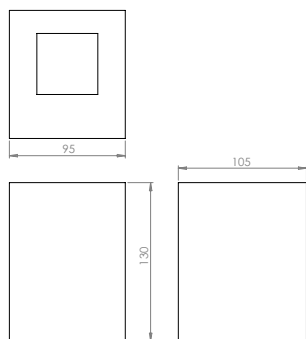
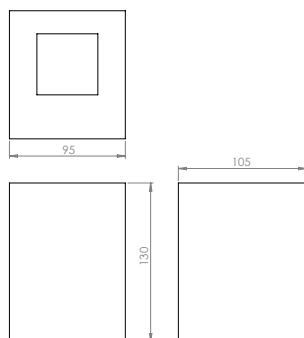
White plaster / gypsum & aluminium  
IP54 indoor / outdoor covered areas  
Class 1 earthed  
Dimensions: H260 W260 D110  
Paint finish compatible  
Lamp 5w LED 360Lm

Model	Source
Burst-Square/LED	High Output LED 360m

Feature fitting . Statement fitting. Dramatic lighting effect. Use indoor or outdoor in covered areas.

White plaster / gypsum & aluminium  
IP54 indoor / outdoor covered areas  
Class 1 earthed  
Dimensions: H260 W260 D110  
Paint finish compatible  
Lamp 5w LED 360Lm

## Mini-1



Model	Source
Mini-1/LED	3w LED 300lm

A compact, optically controlled pencil beam fitting giving a single intense linear light shaft.

White plaster / gypsum & aluminium  
IP54 indoor / outdoor covered areas  
Class 1 earthed.  
Dimensions: H130 W95 D105  
Paint finish compatible.  
Lamp 2 x 3w LED 300Lm

## Mini-2



Model	Source
Mini-2/LED	High Output LED 720lm

A compact luminaire which combines a single pencil beam giving an intense linear light shaft downwards and an upward wide angle Led light source for general ambient lighting.

White plaster / gypsum & aluminium  
IP20 indoor  
Class 1 earthed.  
Dimensions: H130 W95 D105  
Paint finish compatible.  
Lamp 8.7w + 3w LED. 720Lm

# Soft-2



## Model

**Soft-2/TH**

**Soft-2/26**

**Soft-2/LED**

## Source

Halogen 100w 1600lm

Fluorescent 1800lm

13w LED 1250lm

Combining soft curvature, clean flowing lines with compact dimensions.  
Integral emergency available (Led only).

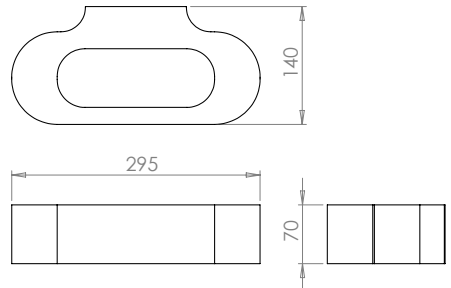
White plaster / gypsum

IP20

Class 1 earthed

Dimensions: H70 W295 D140

Paint finish compatible

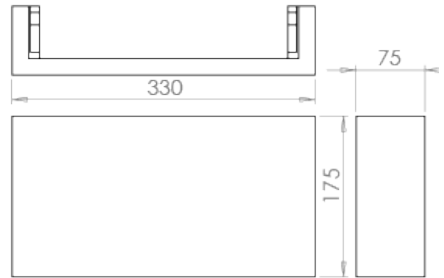


# TR9281



Model	Source
TR9281/TH	Halogen 100w 1600lm
TR9281/26-42	Fluorescent 3200lm
TR9281/2xLED	2x13w LED 2500lm
+IME	Integral Emergency Pack

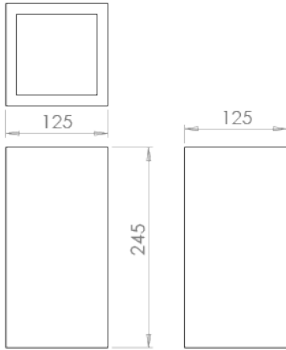
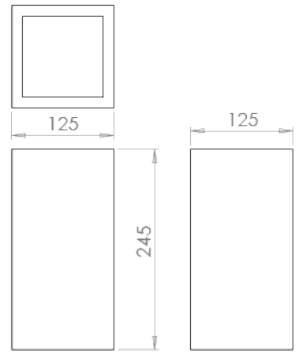
Combining slim projection and powerful light source with integral emergency option. IP20.



Dimming options available for all light sources

LEDs by VS HOSELN SCHWABE

TR7280



L-Beam

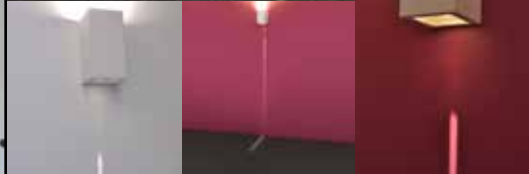


Model

L-Beam/LED  
+IME

Source

High Output LED 1720lm  
Integral Emergency Pack



Model

TR7280/TH  
TR7280/18  
TR7280/2xLED  
+IME

Source

Halogen 2 x GU10 1600lm  
Fluorescent 1300lm  
2x17w LED 2800lm  
Integral Emergency Pack

IP20

Combined twin LED fitting . Featuring a 17W Led for powerful upward ambient lighting and a 3w Led for intense pencil beam downlight. With integral emergency option.

Dimming options available for all light sources

LEDs by VS HOSSELN SCHWABE

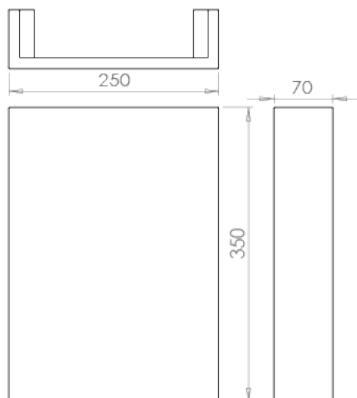


TR7226



Model	Source
TR7226/TH	Halogen 100w 1600lm
TR7226/26-42	Fluorescent 3200lm
TR7226/2xLED	2x13w LED 2500lm
+IME	Integral Emergency Pack

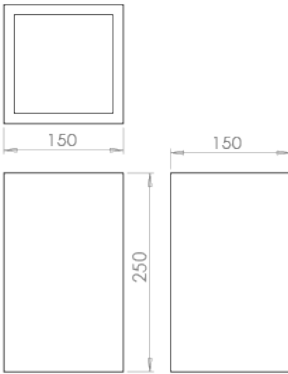
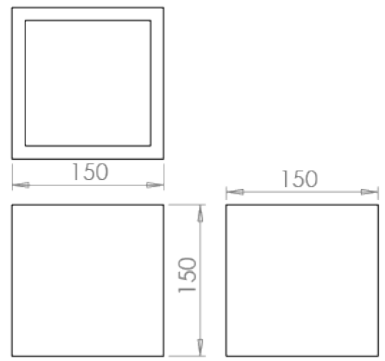
IP20



Dimming options available for all light sources

LEDs by VS HOSELEIN SCHWABE

# TR8280



# TR8180



## Model

## Model

TR8280/TH

## Source

Halogen 2 x GU10 1600lm

TR8280/18

Fluorescent 1300lm

TR8280/2xLED

2x17w LED 2800lm

+IME

Integral Emergency Pack

IP20

TR8180/TH

## Source

Halogen G9 650lm

TR8180/10

Fluorescent 900lm

TR8180/2xLED

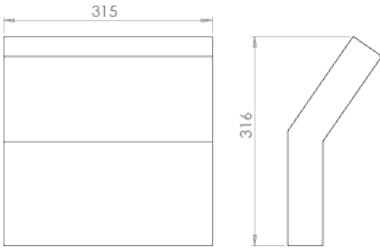
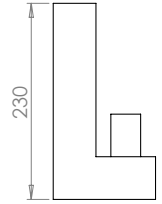
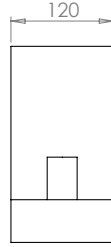
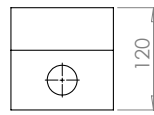
2x17w LED 2800lm

IP20

Dimming options available for all light sources

LEDs by VS VÖSSLECH SCHWABE

TR6145



Retro L



**Model**

TR6145/TH

TR6145/LED

**Source**

Halogen 2 x G9 1300lm

13w LED 1250lm

IP20

**Model**

Retro-L

**Lamp Required**

E27 (Max 60w)

Apply any paint finish to co-ordinate different styles and themes.

White plaster / gypsum

IP20

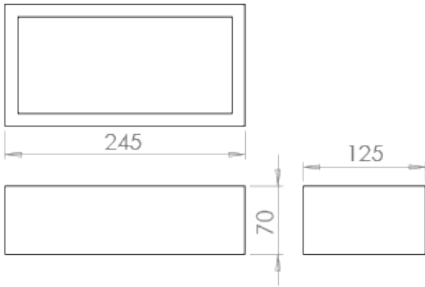
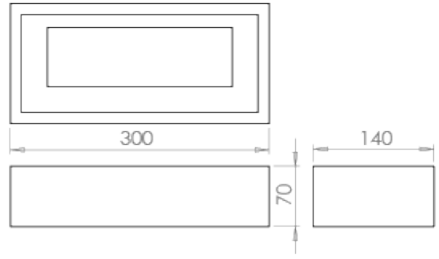
Class 1 earthed

Dimensions: H230 W120 D120

Paint finish compatible

Dimming options available for all light sources

# TR8244



# TR9455



## Model

TR8244/TH

TR8244/26

TR8244/LED

IP20

## Source

Halogen 100w 1600lm

Fluorescent 1800lm

13w LED 1250lm

## Model

TR9455/TH

TR9455/26

TR9455/LED

+IME

IP20

## Source

Halogen 100w 1600lm

Fluorescent 1800lm

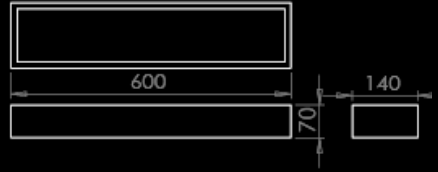
13w LED 1250lm

Integral Emergency Pack

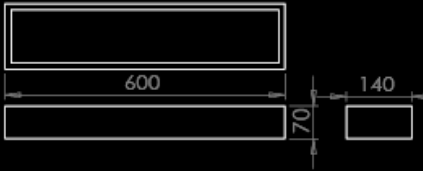
Dimming options available for all light sources

LEDs by VS HÖSSLER SCHWABE

# TR9155



# TR9055



## Model

TR9155/55

TR9155/LED

+IME

IP20

## Source

Fluorescent 4700lm

High Output LED 2180lm

Integral Emergency Pack

## Model

TR9055/55

TR9055/LED

+IME

IP20

## Source

Fluorescent 4700lm

High Output LED 4360lm

Integral Emergency Pack

Dimming options available for all light sources

LEDs by **VS** HÖSSLER SCHWABE

TR8281



**Model**

TR8281/TH

TR8281/26-42

TR8281/2xLED

+IME

IP20

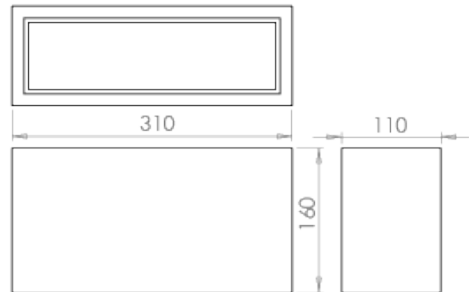
**Source**

Halogen 100w 1600lm

Fluorescent 3200lm

2x13w LED 2500lm

Integral Emergency Pack



Dimming options available for all light sources

LEDs by VS HOESLICH SCHWABE

# Flush Wall & Ceiling Lights

Our Flush trimless recessed down lights have been designed to accommodate the new generation of high power GU10 LEDs.

This LED light source is now well developed and gives more light than the old halogen sources while consuming eighty five percent less power. The plaster flush trimless lights have great dimensional stability, therefore they are not prone to hairline cracking along the installation lines. Plaster allows for greater sculptural shapes to be achieved when compared with metal recessed flush trimless fittings.

Flowing curves and geometric angles are all easily produced when casting with plaster as opposed to metal fabrication. As the fittings are made from Gypsum, the bond between luminaire and ceiling is seamless and trouble free due to the compatibility of materials, as they share the same characteristics. This allows for an invisible interface between the fitting and ceiling surface so the end result looks as though the shapes have been cast into the ceiling surface rather than added to the ceiling.

## Light Source Options



**GU10 LED**, currently the best combination of colour temperature and energy efficiency. This source can be dimmed using standard domestic dimmers. 240v operation, no drivers/transformers required. We recommend Osram Parathom lamps.

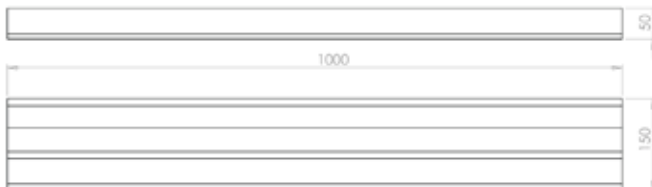
# TL-1000

Continuous profile lighting



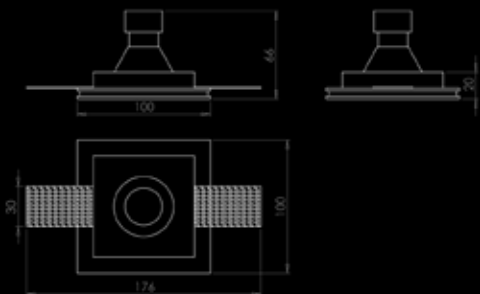
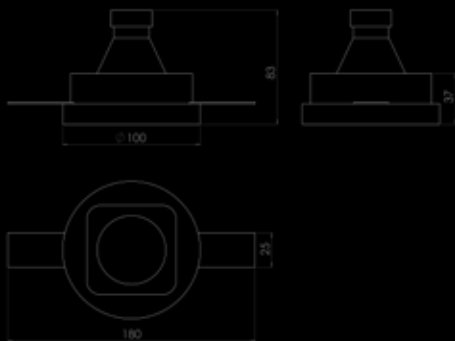
Model	Source	Length/Unit
TL1000	Linear plaster profile	1 meter
TL1000/END	End termination caps for plaster profile	1 pair
TL-LED-WW	Warm white (2700k) LED strip to fit in plaster profile channel. 24v 12w	1 meter
TL-LED-CW	Cool white (5400k) LED strip to fit in plaster profile channel. 24v 12w	1 meter
TL-DRIVER-5	Driver to power up to 5 meters of LED strips. 24v 60w	1 meter

IP20

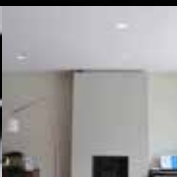




## TF16



## TF20



**Model**  
TF16/LED

**Source**  
GU10 LED 550lm

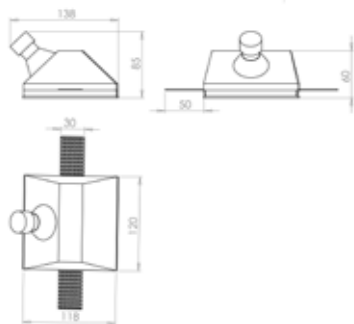
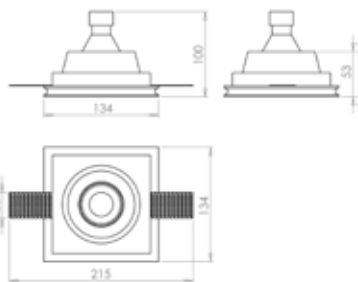
IP20

**Model**  
TF20/LED

**Source**  
GU10 LED 550lm

IP20

TF11



TF15



**Model**  
TF11/LED

**Source**  
GU10 LED 550lm

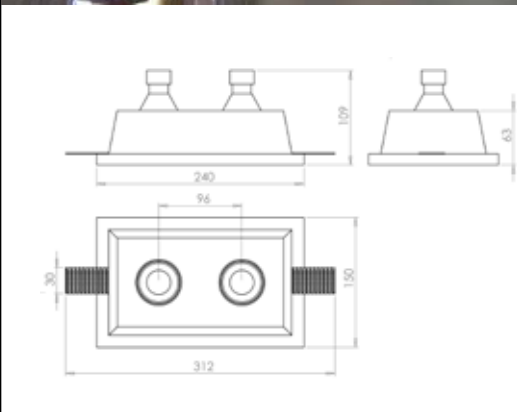
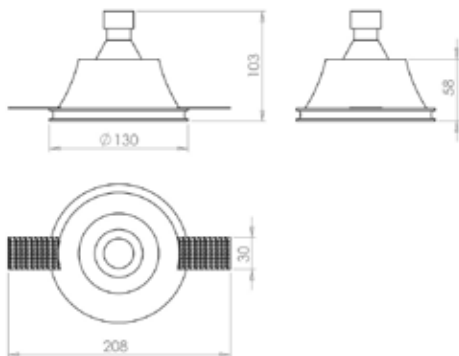
IP20

**Model**  
TF15/LED

**Source**  
GU10 LED 550lm

IP20

TF18



TF12



**Model**  
TF18/LED

**Source**  
GU10 LED 550lm

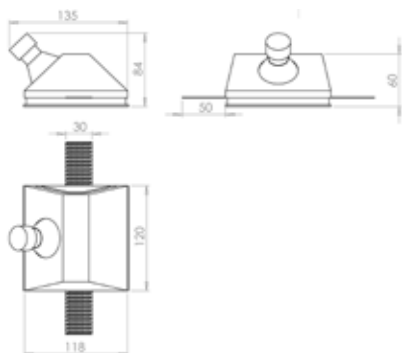
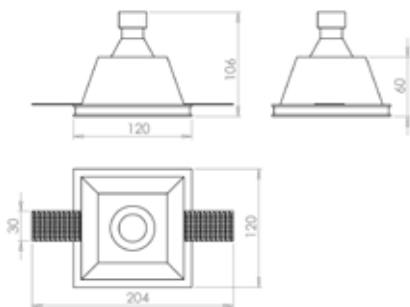
IP20

**Model**  
TF12/LED

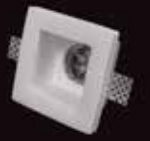
**Source**  
GU10 LED 550lm

IP20

TF13



TF14



**Model**  
TF13/LED

**Source**  
GU10 LED 550lm

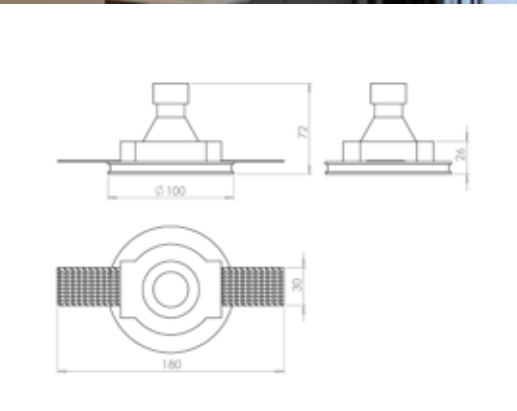
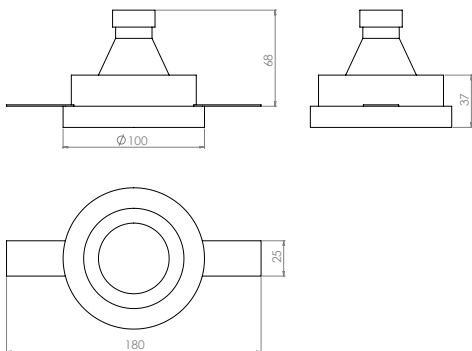
IP20

**Model**  
TF14/LED

**Source**  
GU10 LED 550lm

IP20

TF17



**Model**  
TF17/LED

**Source**  
GU10 LED 550lm

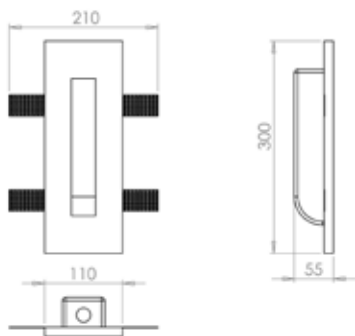
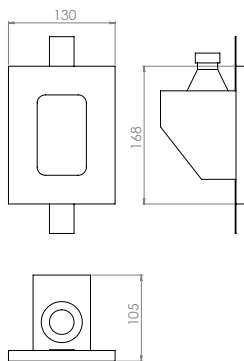
IP20

**Model**  
TF19/LED

**Source**  
GU10 LED 550lm

IP20

TF41



TF42



**Model**  
TF41/LED

**Source**  
1x Osram 1.2w LED 210lm

IP20

**Model**  
TF42/LED

**Source**  
GU10 LED 550lm

IP20

# Classic Curved Wall lights

Large luminaires for spacious interiors. Designed to compliment spaces where small luminaires would be inappropriate. Providing powerful energy efficient light sources with integral emergency lighting option.

White plaster / gypsum.

IP20 indoor.

Class 1 earthed.

Paint finish compatible.

LEDs supplied by Vossloh Schwabe.

## Light Source Options



**Tungsten Halogen**, a traditional light source, typically of a warmer colour temperature. This source can be dimmed using standard domestic dimmers.



**Compact Fluorescent**, a well proven low energy light source, available in various colour temperatures. This source can be dimmed using dali, digital or 0-10v analogue dimmers (please specify dimming type when ordering).

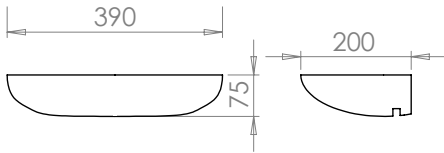
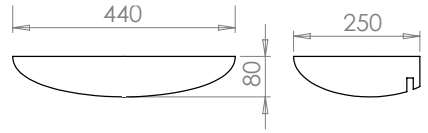


**LED**, currently the best combination of colour temperature and energy efficiency. This source can be dimmed using trailing edge dimmers.



**Integral Emergency Conversions**, can be added to the majority of our products to comply with current regulations.

T6218



T7525



**Model**

T6218/TH

T6218/26

T6218/LED

+IME

IP20

**Source**

Halogen 1600lm

Fluorescent 1800lm

13w LED 1250lm

Integral Emergency Pack

**Model**

T7525/TH

T7525/26

T7525/2xLED

+IME

IP20

**Source**

Halogen 1600lm

Fluorescent 1800lm

2x13w LED 2500lm

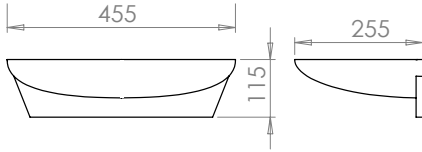
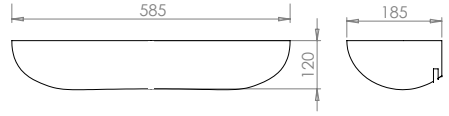
Integral Emergency Pack

Dimming options available for all light sources

LEDs by VS HÖSSLICH SCHWABE



# T6277



# T6220



## Model

T6277/TH

T6277/26-42

T6277/2xLED

+IME

IP20

## Source

Halogen 1600lm

Fluorescent 26-42w 3200lm

2x13w LED 2500lm

Integral Emergency Pack

## Model

T6220/TH

T6220/26-42

T6220/2xLED

+IME

IP20

## Source

Halogen 1600lm

Fluorescent 26-42w 3200lm

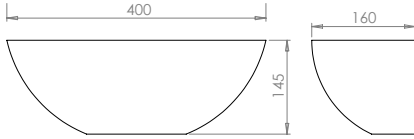
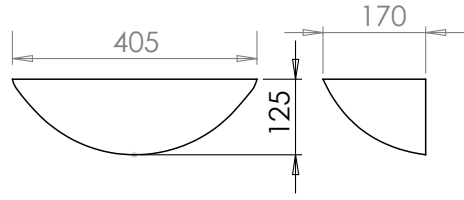
2x13w LED 2500lm

Integral Emergency Pack

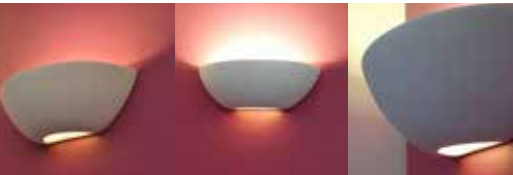
Dimming options available for all light sources

LEDs by VS HÖSSLER SCHWABE

T6223



T6117



**Model**

T6223/TH

T6223/26-42

T6223/2xLED

+IME

**Source**

Halogen 1600lm

Fluorescent 26-42w 3200lm

2x13w LED 2500lm

Integral Emergency Pack

IP20

**Model**

T6117/TH

T6117/26-42

T6117/2xLED

+IME

**Source**

Halogen 1600lm

Fluorescent 26-42w 3200lm

2x13w LED 2500lm

Integral Emergency Pack

IP20

Dimming options available for all light sources

LEDs by VS VÖSSLER  
SCHWABE

T6112



T6288



Bamboo



Sandwave



T6101



T6520



#### Other Products

Polished /Natural Concrete Lights  
Curved Plaster Lights  
Textured Wall Panels  
Period Feature Lighting Adaptations  
Corner Lights

#### Other Services

Emergency Conversions  
Emergency Lighting Assessments  
Proximity Sensor Integration  
Bespoke Diffuser Laser Cutting  
Bespoke Product Services

Dimming available in: 1-10v / DALI / Digital / Analogue  
Integral emergency options



Hand Crafted Plaster Lighting - Made in England

Web: [www.tornado.co.uk](http://www.tornado.co.uk)

Tel: 0208 788 2324

Email: [sales@tornado.co.uk](mailto:sales@tornado.co.uk)

# Hand Crafted Lighting for Architects, Interior Designers and Lighting professionals

Tornado has specialized in hand crafting plaster lighting since 1985. Our design criteria is to make beautifully finished lights with the emphasis on unfussy design combined with low-energy light sources.

Plaster is a wonderful, versatile material. Plaster has the ability to be cast with higher definition, and hand finished to a smooth, perfect surface.

The majority of our luminaire design has been driven by our philosophy of promoting the use of low energy light sources.

**Tornado Lighting & Design Ltd**  
2 Stable Yard, London, SW15 1LT

0208 788 2324  
[www.tornado.co.uk](http://www.tornado.co.uk)