

# Installation Instructions

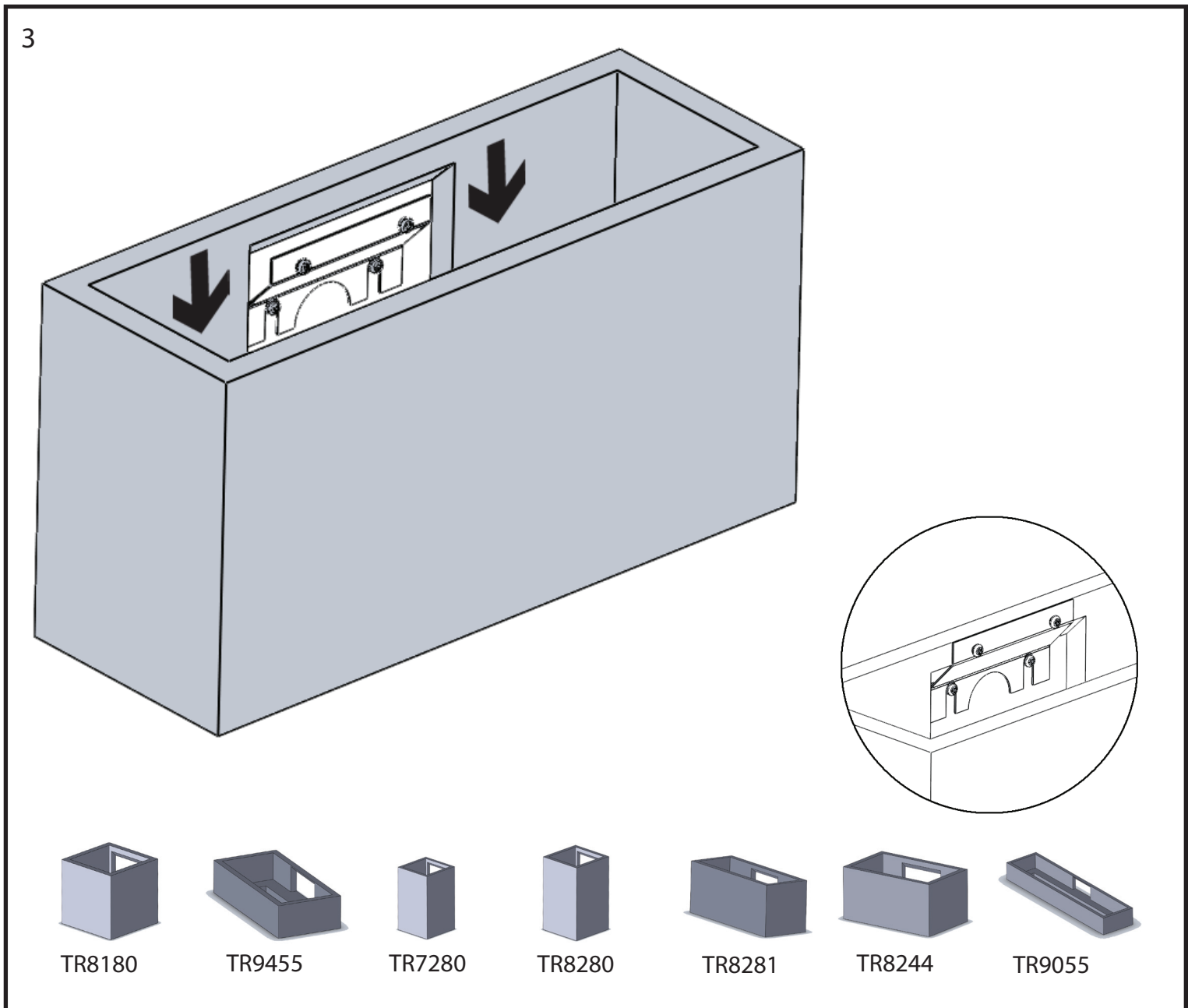
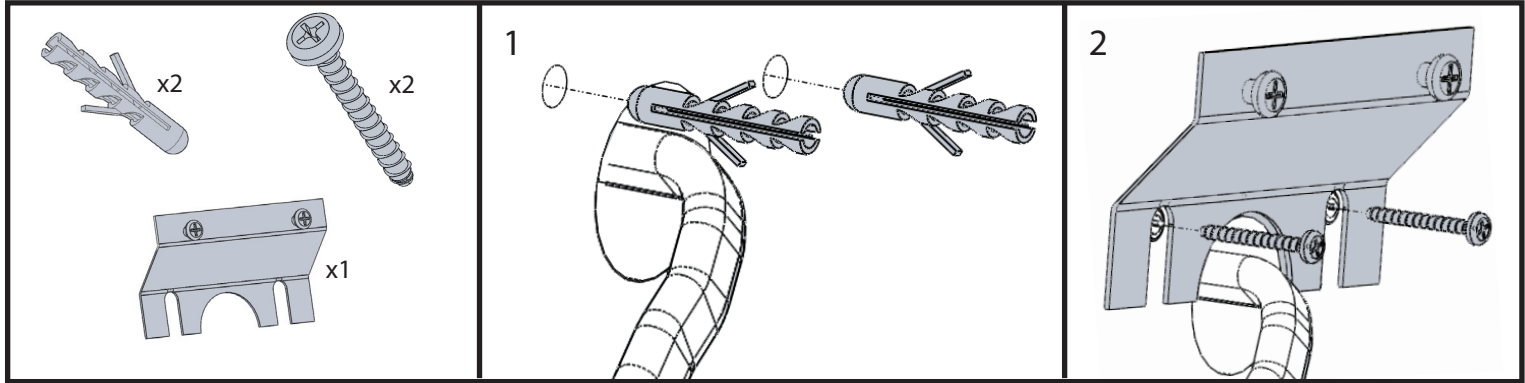
## Plaster Linear Wall Lights



Models: TR7280, TR8181, TR8244, TR8280, TR8281, TR9055, TR9455

We recommend all fittings are installed by a qualified electrician. Ensure the electrical supply is disconnected at the consumer unit/fuse board before you begin.

Important: All of our plaster lights can be left unpainted, however if you do decide to paint them, it is necessary to first seal them with a PVA sealer. A solution can be made up by mixing 1 part PVA with 1 part water. Use a brush to apply the sealer, then wait until thoroughly dry before painting. After lights have been painted, please allow 2-3 days before switching on any warm light source such as tungsten halogen.



5

