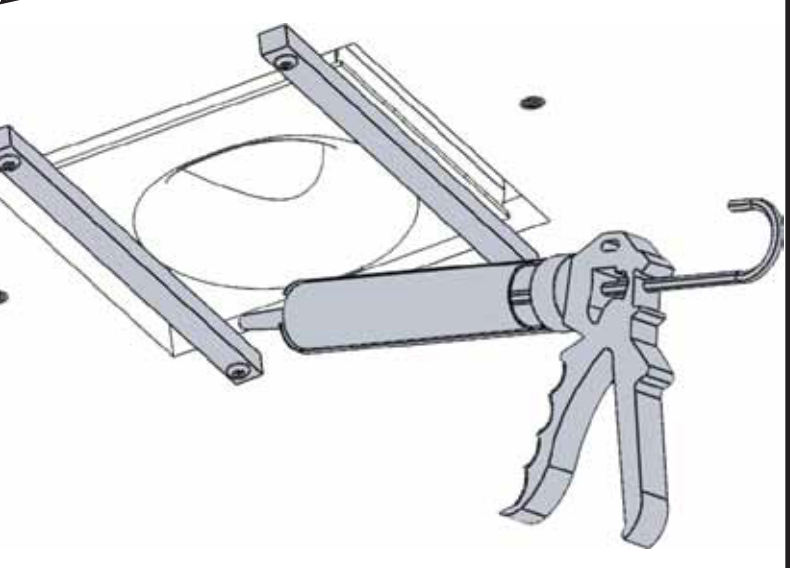
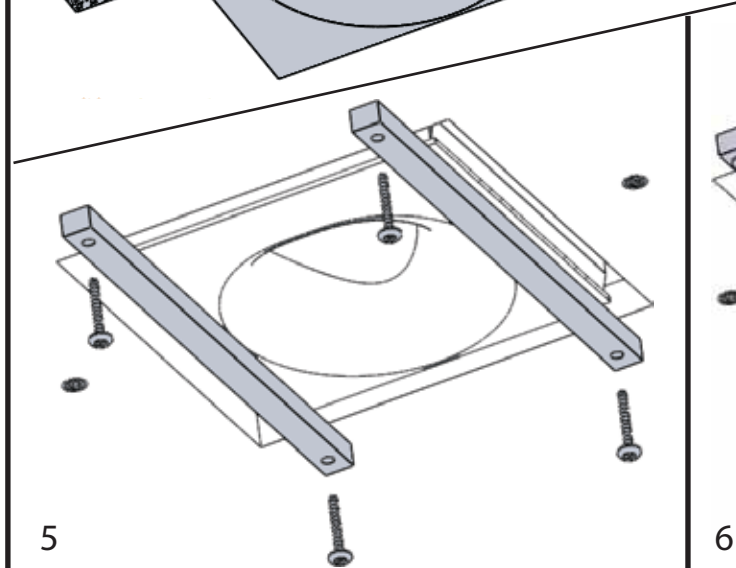
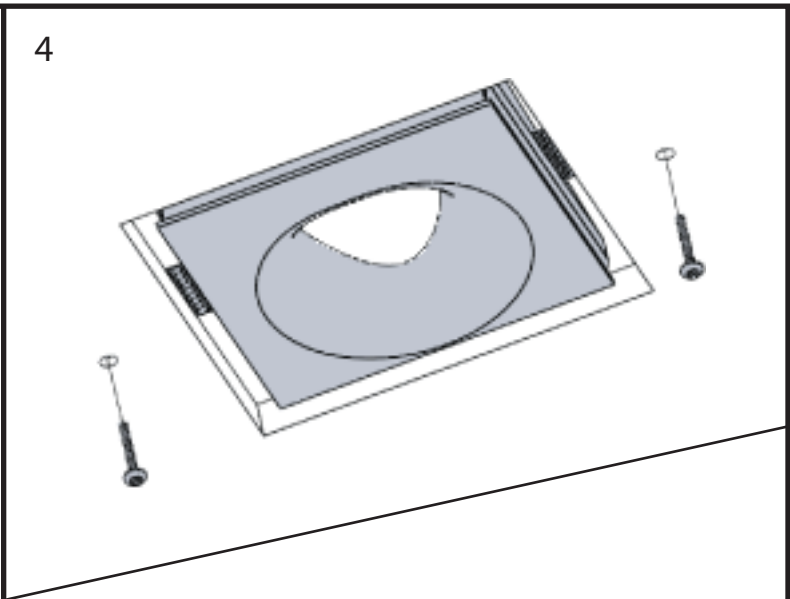
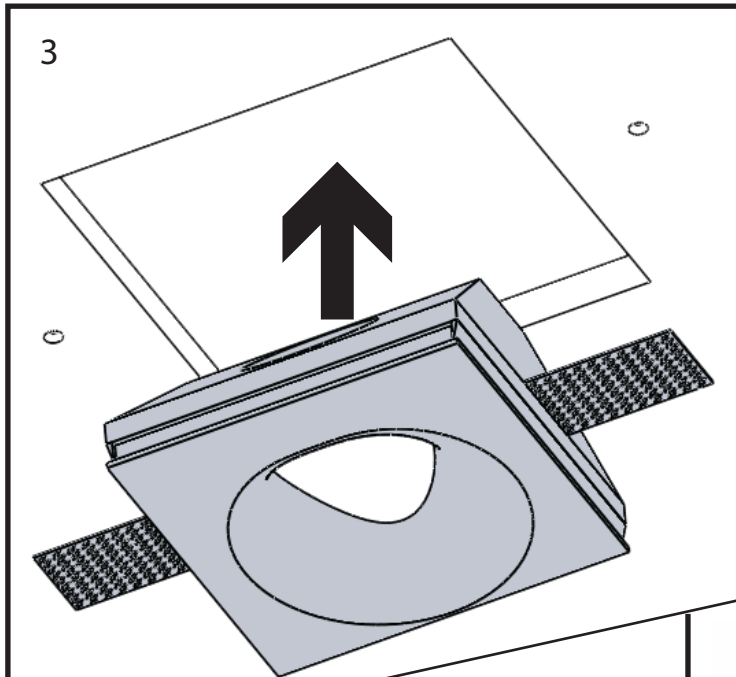
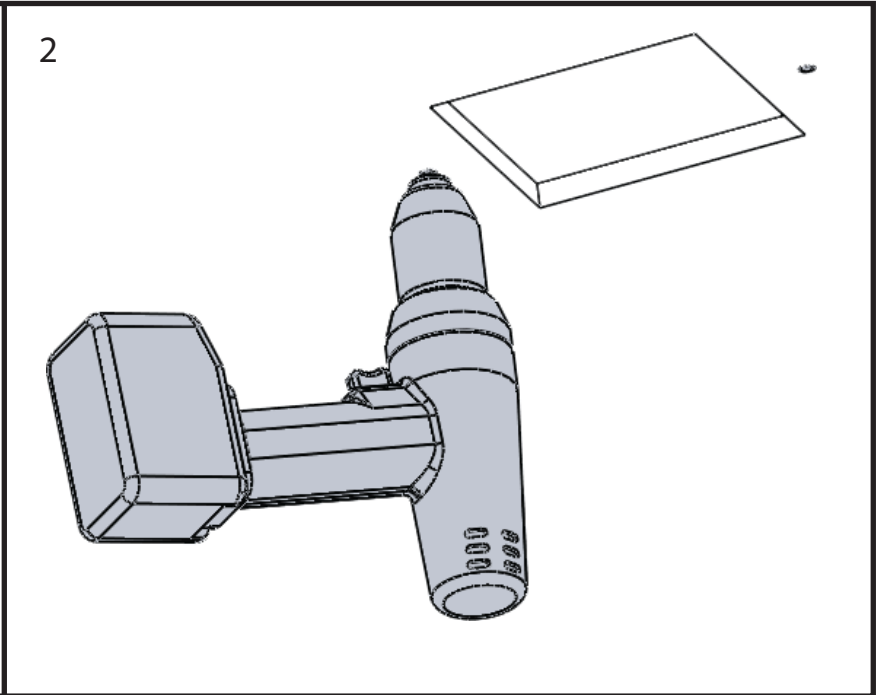
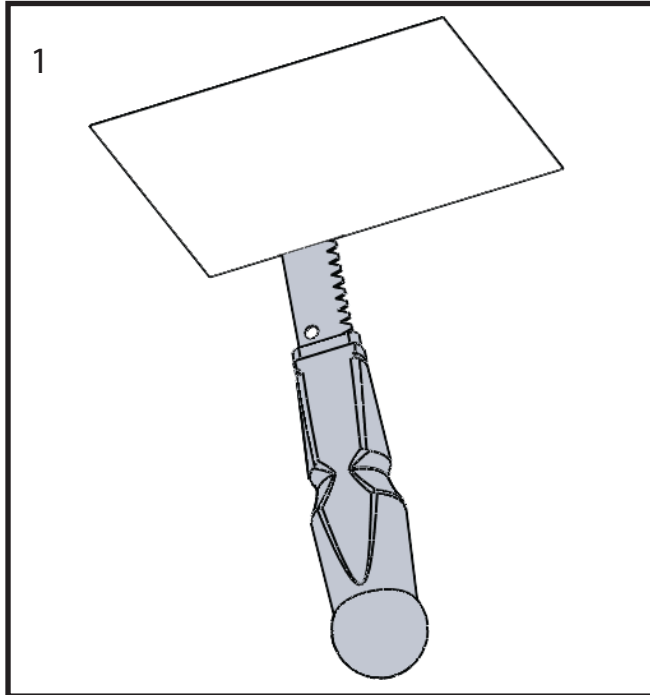


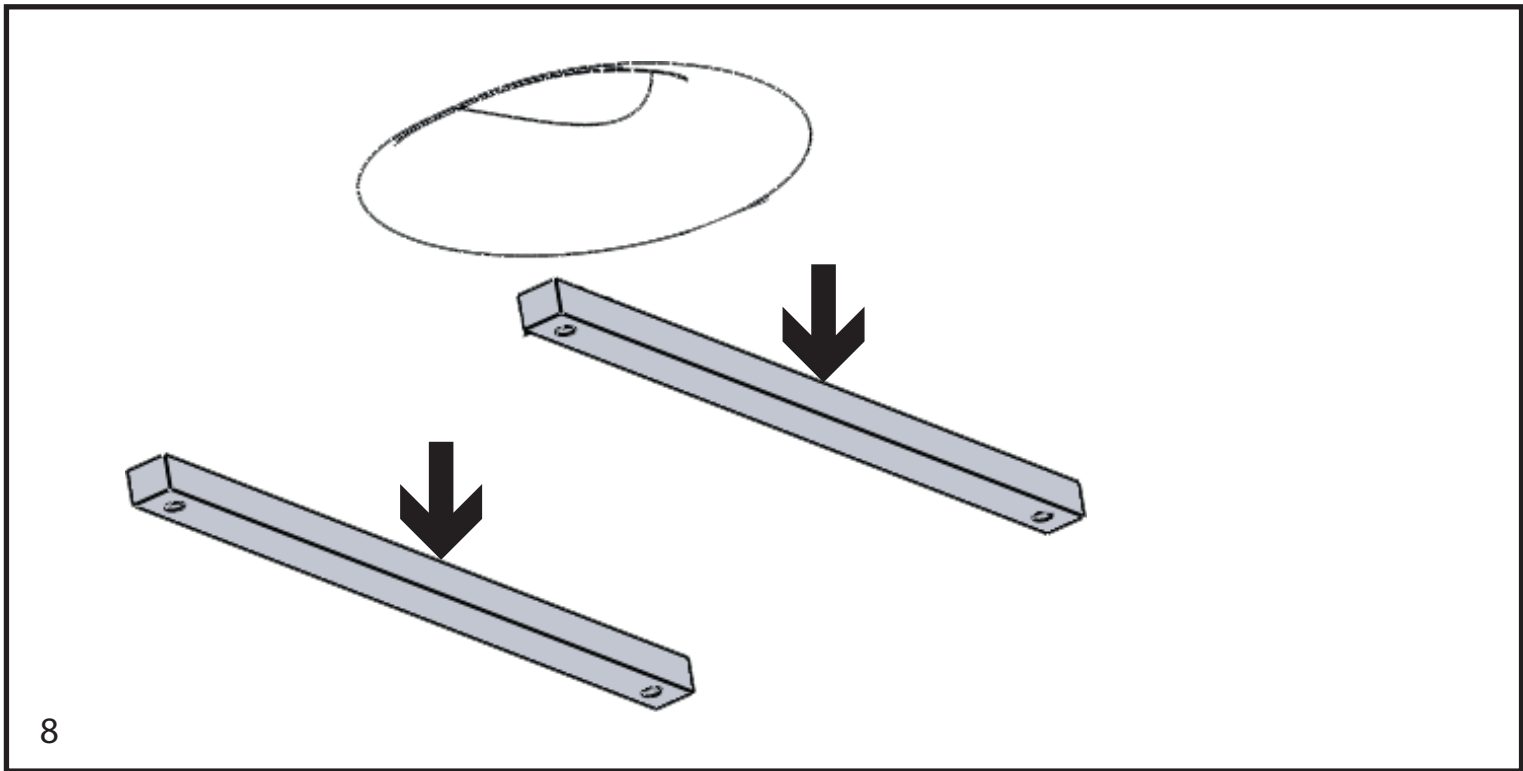
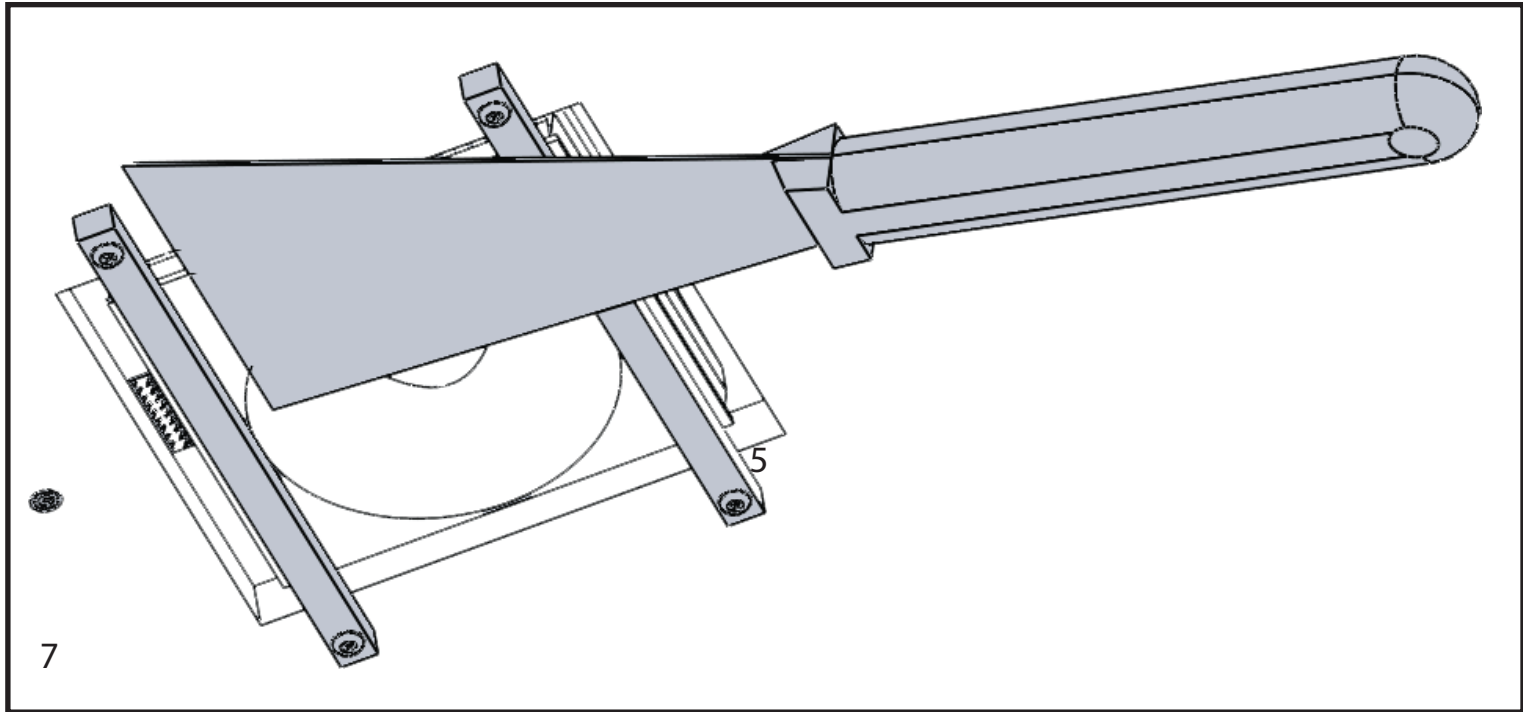
Installation Instructions

Plaster Flush Ceiling Lights

Models: TF11, TF12, TF13, TF14, TF15, TF16, TF17, TF18

We recommend all fittings are installed by a qualified electrician. Ensure the electrical supply is disconnected at the consumer unit/fuse board before you begin.





Recommendations

For further installation instructions go the product page on our website, and see the installation section.

All 50mm LED lamps can be used with these fittings, with the exception of TF41, which takes a 35mm GU10 (supplied by Tornado).