

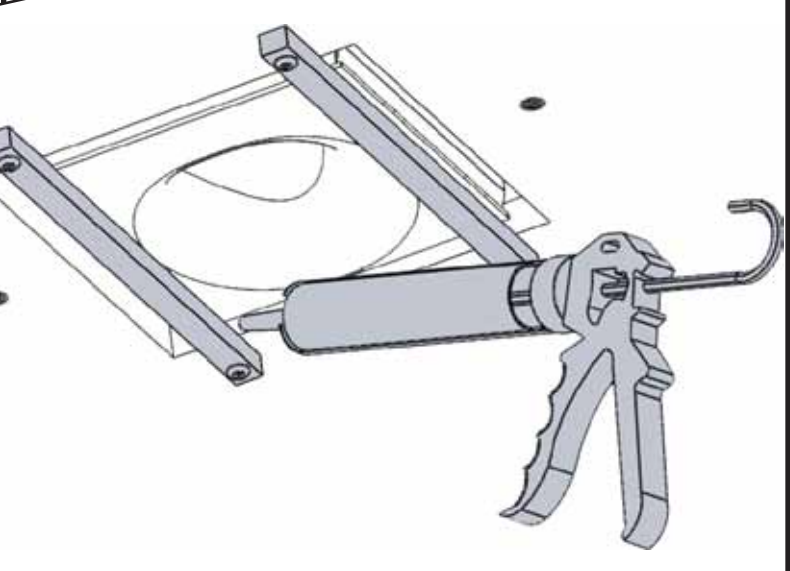
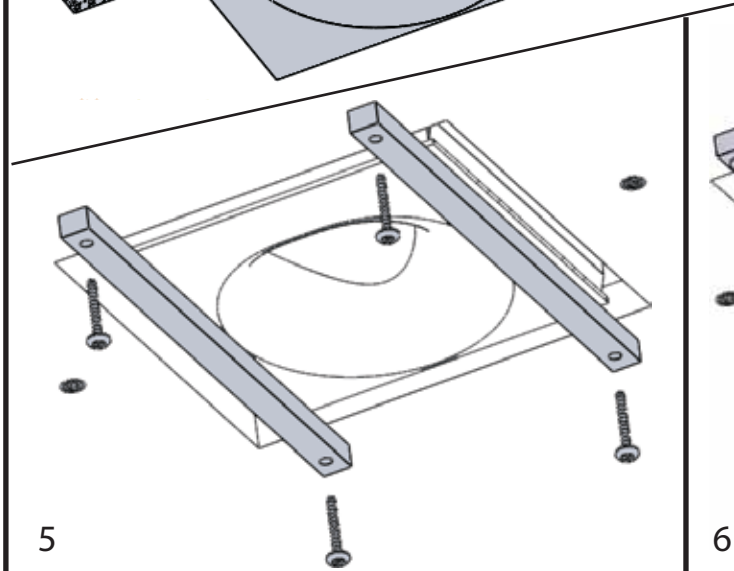
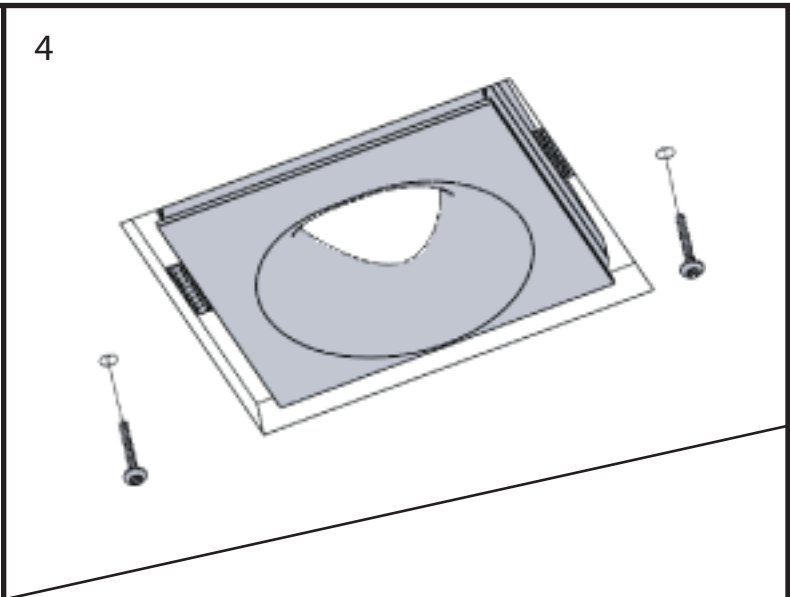
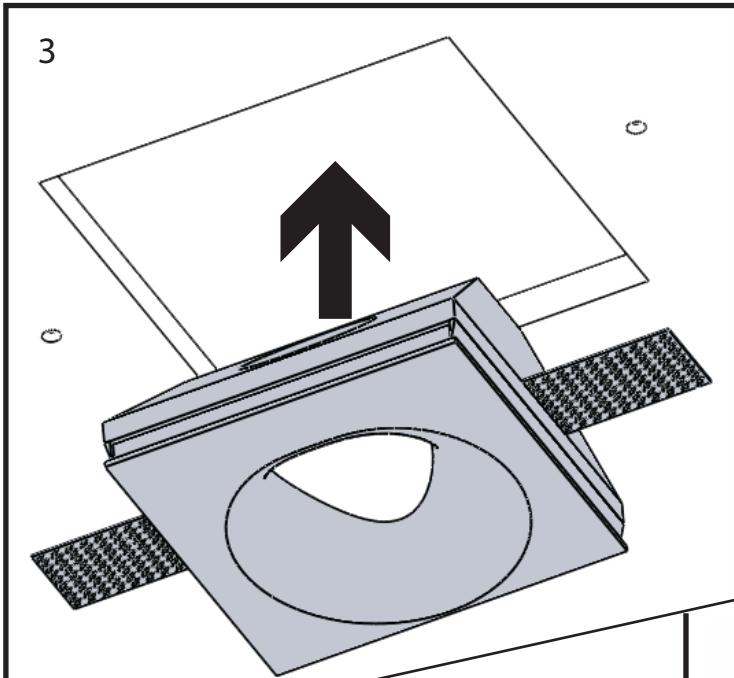
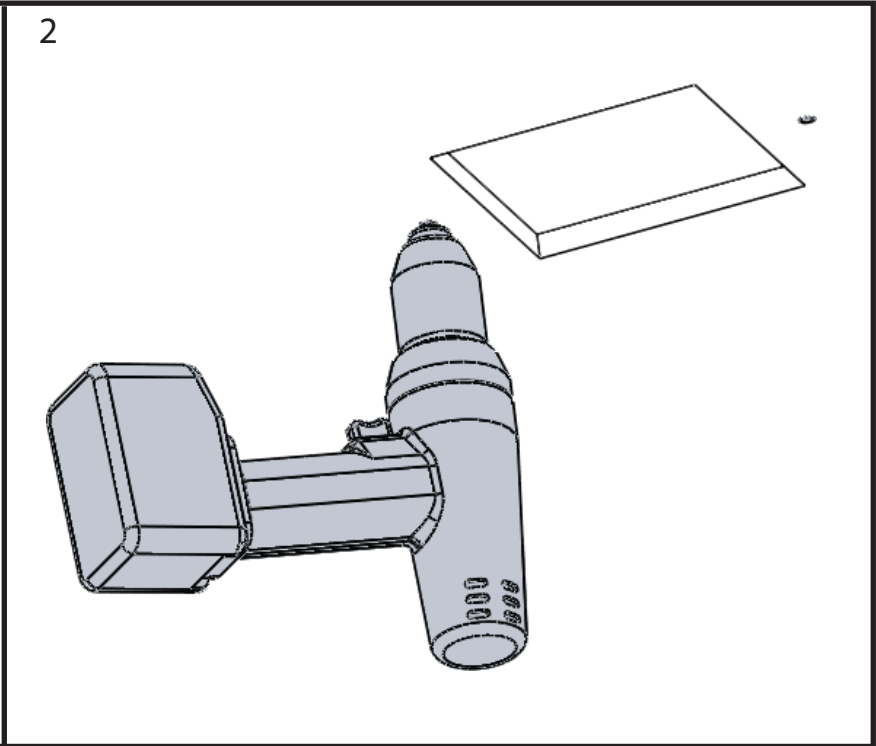
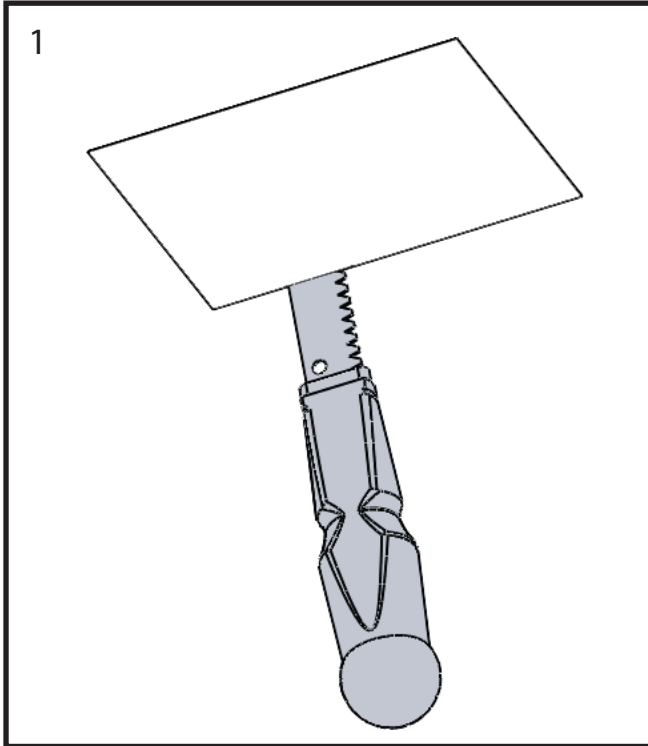
Installation Instructions

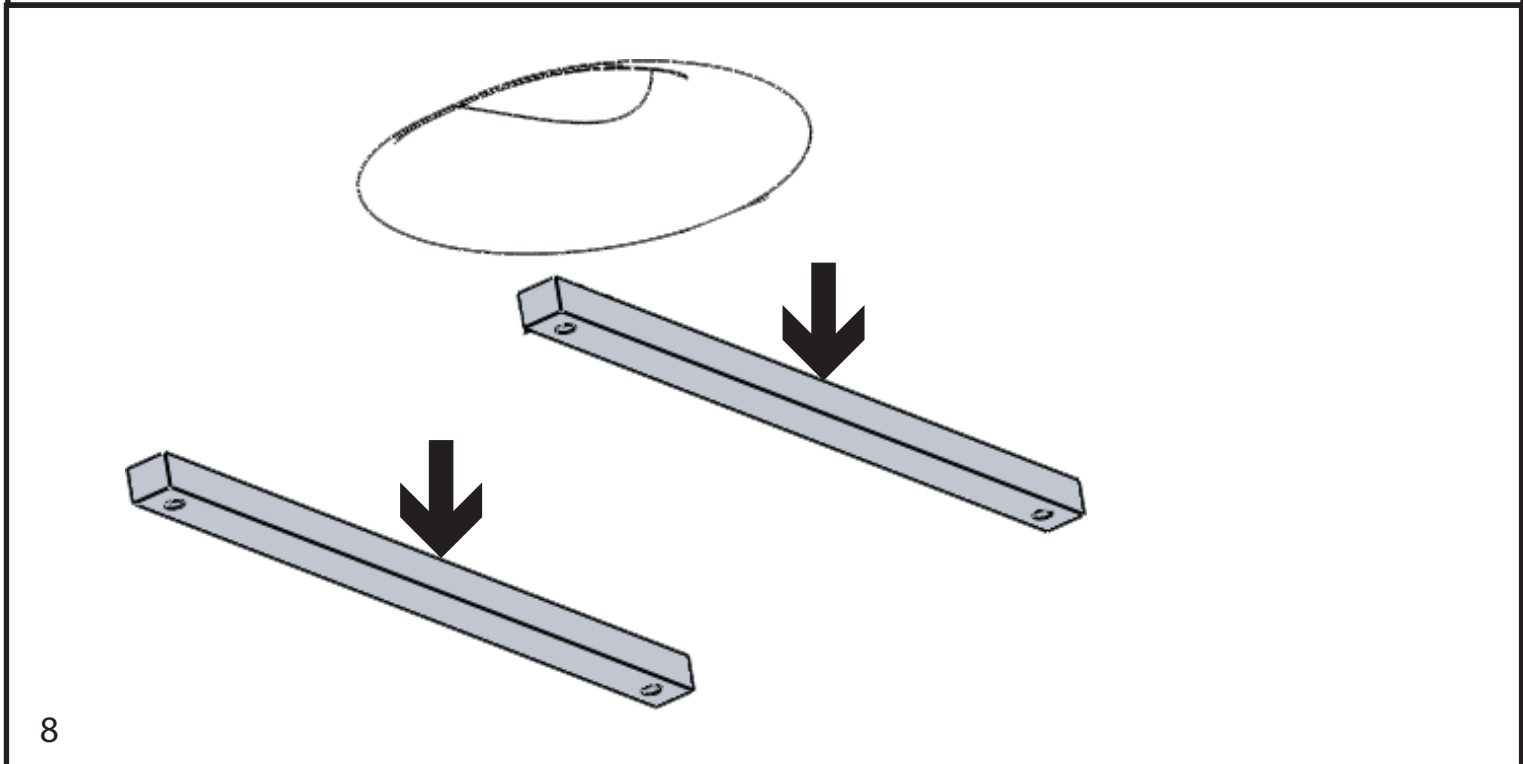
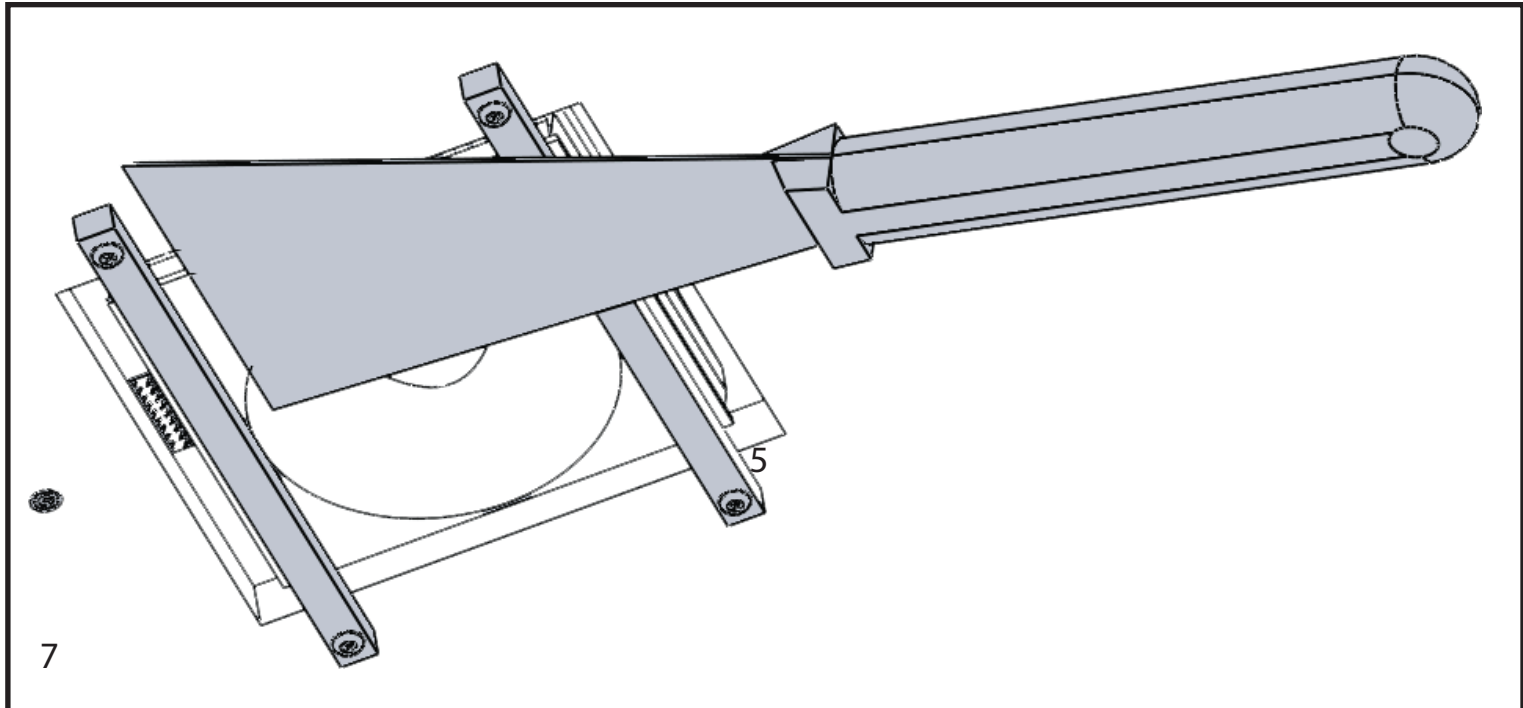
Plaster Flush Ceiling Lights

Tornado Lighting & Design Ltd.
2 Stable Yard, Danemere Street
London, SW15 1LT
www.tornado.co.uk
email: jamesfox@tornado.co.uk
Tel: +44 (0)20 8788 2324
Fax: +44 (0)20 8785 7017



Models: TF11, TF12, TF13, TF14, TF15, TF16, TF17, TF18





Recommendations

For further installation instructions go to this link <http://www.tornado.co.uk/installationguideE.html>
Or go to the technical / installation section in our web site – www.tornado.co.uk

Recommended transformer type:

Intram Barwell ET ref 4104.00 – this transformer is recoverable through the lamp opening in the event of a failure – it is an electronic dimmable transformer 20 - 60 watt.

Available from Tornado or distributors. See www.IBL.co.uk

LED Lamps can be used – all 50mm diameter LED lamps can be used in these fittings - with the exception of model TF41.

For model TF41 we recommend the Osram Dragoneye LED lamp – available from us or Osram distributors. For LED drivers we recommend using one driver in a remote location to drive all LED circuits – there will be no access through the fittings for the recovery of individual LED drivers.